

# Data Sheet

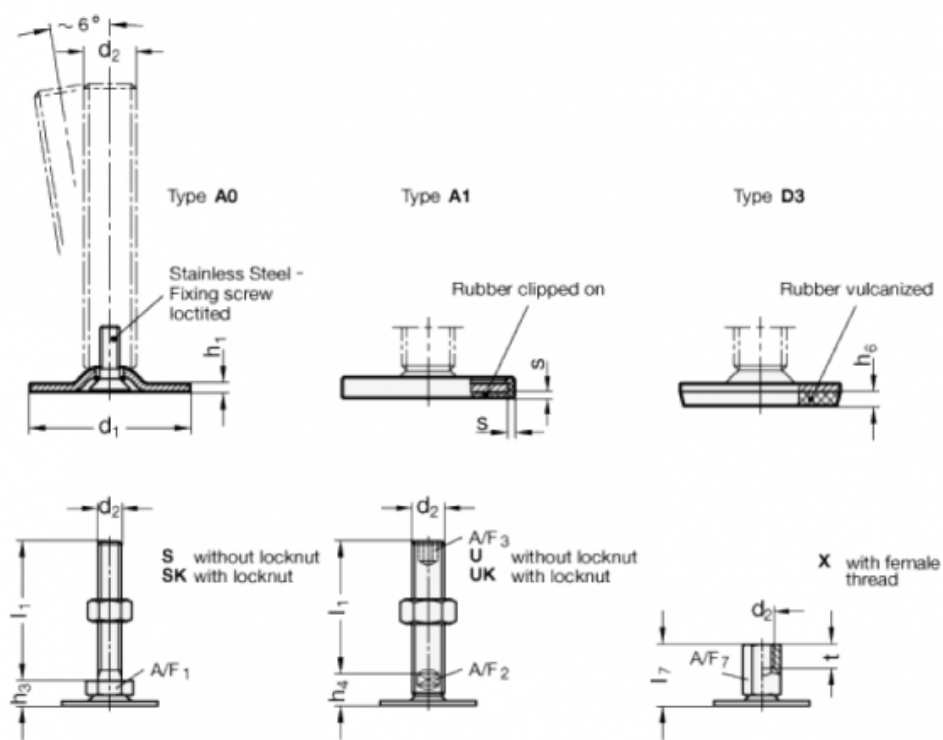


Article number: 204040M16200A3U

Description: E+G levelling foot  
GN 40-40-M16-200-A3-U

Note: U Without nut, Hexagon socket at the top, Wrench flat at the bottom

## Measures



- A/F2 = 12
- A/F3 = 8
- d1 = 40
- d2 = M16
- h1 = 2
- h4 = 17
- h6 = 3.5
- l1 = 200

s =